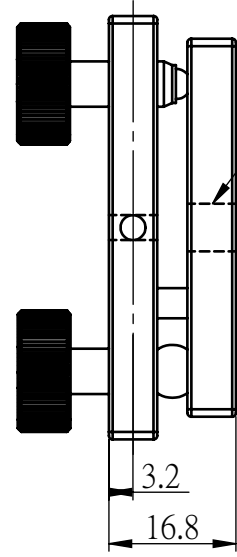
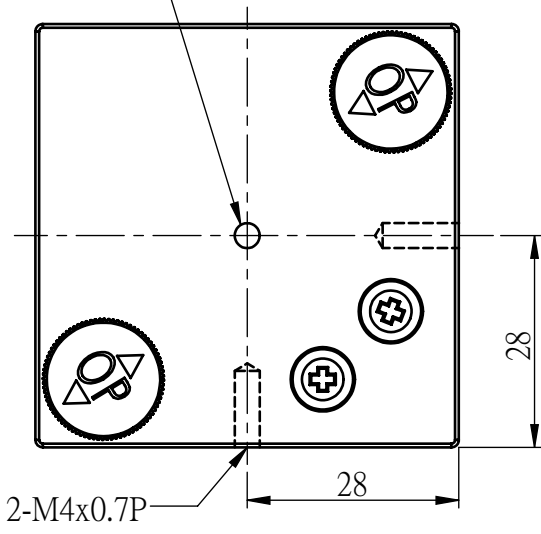
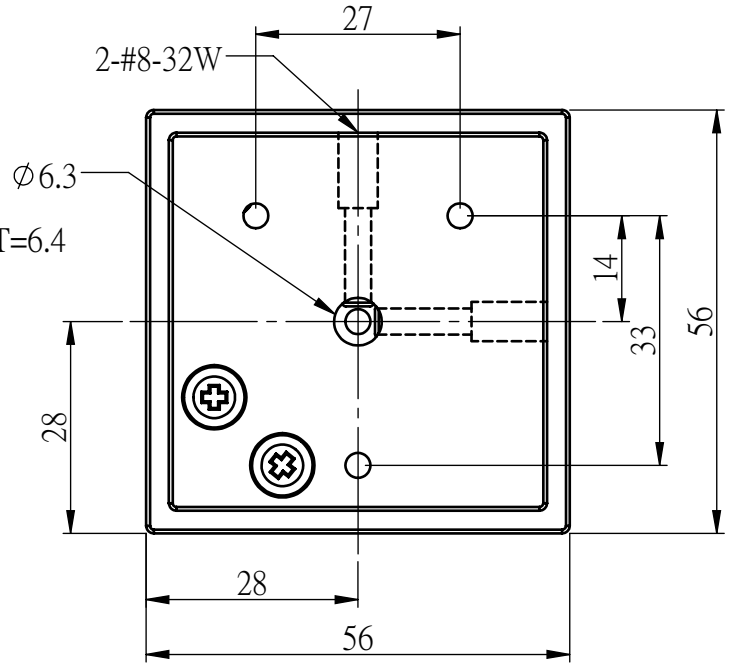


M4x0.7P THR



For T=6.4



M-PM-2-HOX